



BALL SPLINES
BSP



www.ntn-snr.com



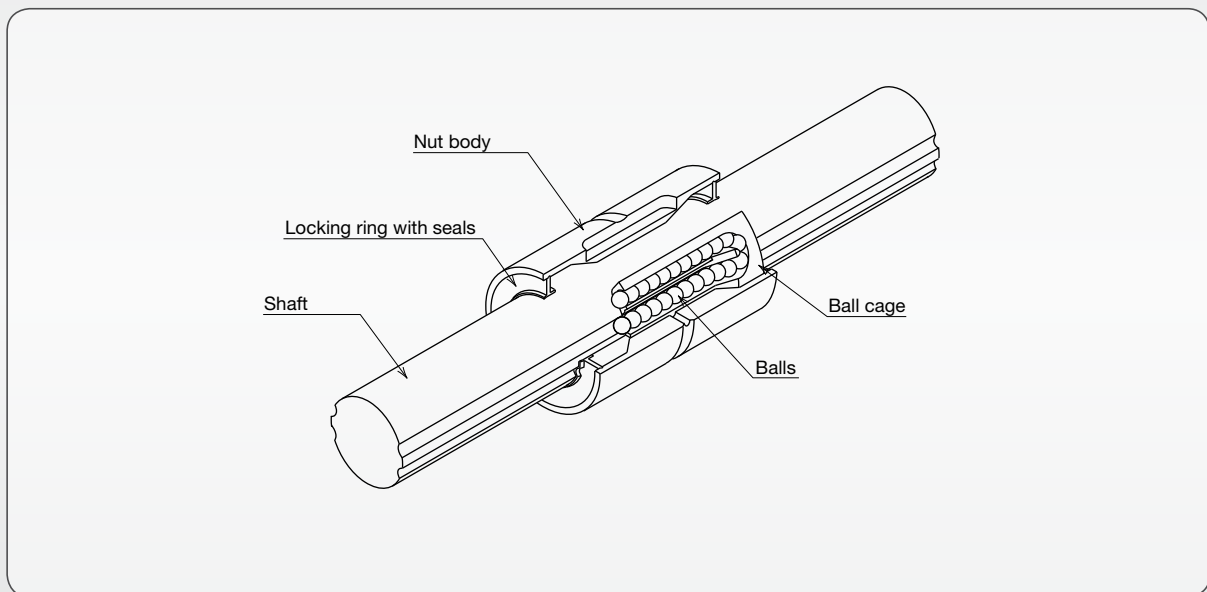
With You

Structure	2
Advantages	2
Typenschlüssel	3
Data sheets	4-11
• Ball Splines with cylindrical nuts	4-5
• Ball Splines with flange type nuts	6-7
• Ball Splines with flange type nuts and limited stroke	8-9
• Ball Splines with rotary type nuts	10-11
Precision	12-13
Preload	14
Shaft options	15
• Hollow shaft	15
• Maximum length	15
Material / Coating	16

NTN-SNR Ball Splines BSP

NTN-SNR Ball Spline BSP are linear guides on shafts with raceways. The shafts, with the accurate grinded raceways in combination with ball nuts, are able to transfer rotations and also linear strokes. They are suitable for high linear speeds and high rotation speeds.

Structure



Advantages

- High load capacity

By a defined relationship between race way radius and ball diameter, the contact surfaces significantly increase. This allows, unlike conventional sliding guides, very high load ratings with minimum dimensions and long service life time.

- Torque and force transmission

The design principle of the Ball Splines allow the transmission of forces, tilting and rotation moments by simultaneous linear motions.

- Wide range of applications

The combination of an extremely accurate grinded profile rail, the runner block and precision ball screw. The wide product range with shaft diameters from 4 mm up to 100 mm in combination with different nut designs, results in a wide variety of applications in industrial automation.

- Customized machining

It is easy to produce Ball Splines according to customers drawing.

Type code

Example for standard without options and machining:

BSP 25 FN 1 UU L 0500 N Z1 - N
 1 2 3 4 5 6 7 8 9 10

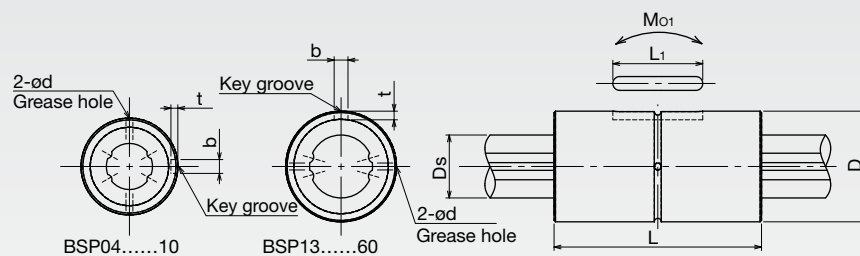
Example special with options and / or machining:

BSP 25 FN 1 UU L 0500 N Z1 - S - 03 00 1 0 - 1 0
 1 2 3 4 5 6 7 8 9 10 11 12 13 14 15 16

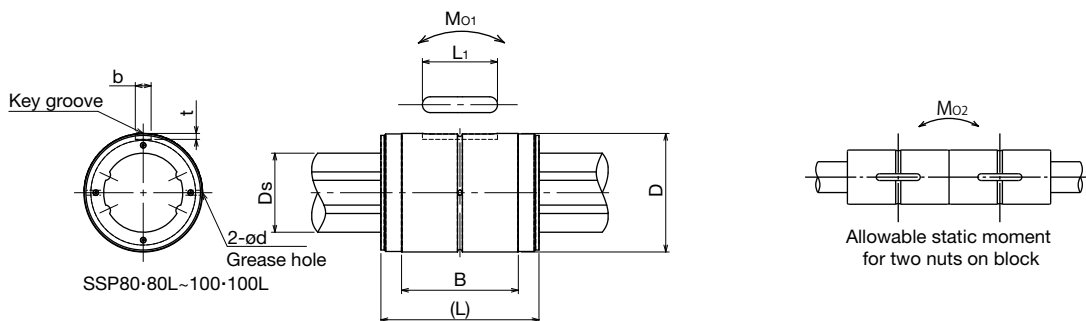
1	BSP	Serie
2	25	Size
3	FN	Nut type
4	1	Number of nuts
5	UU	Seals UU: with seals AA: without seals
6	L	Shaft type L: Solid shaft K: Hollow shaft
7	0500	Shaft length
8	N	Precision class N: Normal precision P: P - precision
9	Z1	Precision class Z0: without preload Z1: low preload Z2: medium preload
10	N	Special N: Standard S: special version
11	03	Grease stipulated in the catalog Ball rail systems page 77
12	00	Grease connection
13	1	Nut material see materials and coatings
14	0	Special nuts 0 Without special options A...Z According to a drawing or text description (Index is given in case of an order issued)
15	1	Shaft material see materials and coatings
16	A...Z	Special shafts 0 Without special options A...Z According to a drawing or text description (Index is given in case of an order issued)

Data sheets

Ball Splines with cylindrical nuts

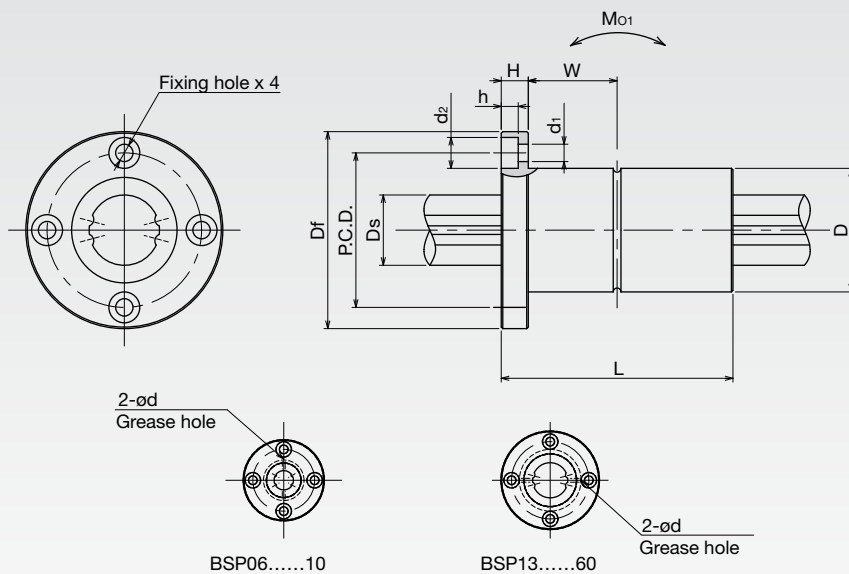


Type			Dimension										
			mm										
			$\varnothing D$ h6	L		B	b	t		L1	d	Ds h7	
BSP	04	CN	10	16	0 -0,2	--	2.0	+0,014 0	1.2	+0,05 0	6.0	--	4
BSP	06	CN	14	25	0 -0,2	--	2.5	+0,014 0	1.2	+0,05 0	10.5	1.0	6
BSP	08	CN	16	25	0 -0,2	--	2.5	+0,014 0	1.2	+0,05 0	10.5	1.5	8
BSP	10	CN	21	33	0 -0,2	--	3.0	+0,014 0	1.5	+0,05 0	13.0	1.5	10
BSP	13	CN	24	36	0 -0,2	--	3.0	+0,014 0	1.5	+0,05 0	15.0	1.5	13
BSP	16	CN	31	50	0 -0,2	--	3.5	+0,018 0	2.0	+0,05 0	17.5	2.0	16
BSP	20	CN	35	63	0 -0,2	--	4.0	+0,018 0	2.5	+0,05 0	29.0	2.0	20
BSP	25	CN	42	71	0 -0,3	--	4.0	+0,018 0	2.5	+0,05 0	36.0	3.0	25
BSP	30	CN	47	80	0 -0,3	--	4.0	+0,018 0	2.5	+0,05 0	42.0	3.0	30
BSP	40	CN	64	100	0 -0,3	--	6.0	+0,018 0	3.5	+0,05 0	52.0	4.0	40
BSP	50	CN	80	125	0 -0,3	--	8.0	+0,022 0	4.0	+0,05 0	58.0	4.0	50
BSP	60	CN	90	140	0 -0,3	--	12.0	+0,027 0	5.0	+0,05 0	67.0	4.0	60
BSP	80	CN	120	160	--	118.2	16.0	+0,027 0	6.0	+0,05 0	76.0	5.0	80
BSP	80	CL	120	217	--	175.2	16.0	+0,027 0	6.0	+0,05 0	110.0	5.0	80
BSP	100	CN	150	185	--	132.6	20.0	+0,033 0	7.0	+0,05 0	110.0	5.0	100
BSP	100	CL	150	248	--	195.6	20.0	+0,033 0	7.0	+0,05 0	160.0	5.0	100

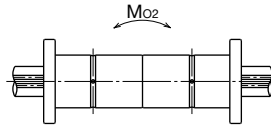


Torque moment		Load rating		Allowable static moment		Cross-sectional moment of inertia mm ⁴	Cross-sectional coefficient mm ³	Weight		Type		
kNm		kN		kNm				kg				
C _T	C _{0T}	C	C ₀	M ₀₁	M ₀₂			Nut kg	Shaft kg/m			
0.00074	0.00105	0.86	1.22	0.002	0.010	11.80	5.90	0.0065	0.10	BSP	04	CN
0.0015	0.0024	1.22	2.28	0.005	0.040	59.00	19.70	0.019	0.21	BSP	06	CN
0.0021	0.0037	1.45	2.87	0.007	0.050	1,90x10 ²	47.60	0.023	0.38	BSP	08	CN
0.0044	0.0082	2.73	5.07	0.018	0.116	4,61x10 ²	92.20	0.054	0.60	BSP	10	CN
0.021	0.039	2.67	4.89	0.014	0.109	1,38x10 ³	2,13x10 ²	0.07	1.0	BSP	13	CN
0.060	0.110	6.12	11.2	0.046	0.299	2,98x10 ³	3,73x10 ²	0.15	1.5	BSP	16	CN
0.105	0.194	8.90	16.3	0.110	0.560	7,35x10 ³	7,34x10 ²	0.22	2.4	BSP	20	CN
0.189	0.346	12.8	23.4	0.171	1.029	1,79x10 ⁴	1,43x10 ³	0.33	3.7	BSP	25	CN
0.307	0.439	18.6	23.2	0.181	1.470	3,66x10 ⁴	2,44x10 ³	0.36	5.4	BSP	30	CN
0.674	0.934	30.8	37.5	0.358	2.940	1,55x10 ⁵	5,75x10 ³	0.95	9.6	BSP	40	CN
1.291	2.955	40.3	64.9	0.690	4.084	2,83x10 ⁵	1,13x10 ⁴	1.90	15.0	BSP	50	CN
1.577	2.629	47.7	79.5	0.881	5.473	5,91x10 ⁵	1,97x10 ⁴	2.30	21.6	BSP	60	CN
3.860	6.230	83.1	134.0	2.00	11.10	1,93x10 ⁶	4,38x10 ⁴	5.10	39.0	BSP	80	CN
5.120	9.340	110.0	201.0	4.41	21.10	1,93x10 ⁶	4,38x10 ⁴	7.60	39.0	BSP	80	CL
6.750	11.570	135.0	199.0	3.36	19.30	4,69x10 ⁶	9,38x10 ⁴	9.70	61.0	BSP	100	CN
8.960	17.300	179.0	298.0	7.34	37.70	4,69x10 ⁶	9,38x10 ⁴	13.90	61.0	BSP	100	CL

Ball Splines with flange type nuts



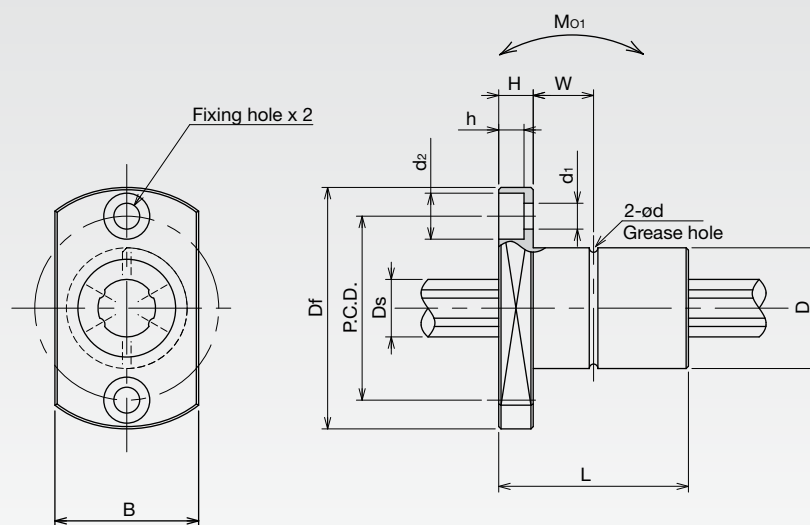
Type			Dimension									
			mm									
BSP		FN	ϕD h6	L		Df	H	P.C.D.	d1xd2xh	W	d	Ds h7
BSP	06	FN	14	25	$\begin{matrix} 0 \\ -0,2 \end{matrix}$	30	5	22	3,4x6,5x3,3	7.5	1.0	6
BSP	08	FN	16	25	$\begin{matrix} 0 \\ -0,2 \end{matrix}$	32	5	24	3,4x6,5x3,3	7.5	1.5	8
BSP	10	FN	21	33	$\begin{matrix} 0 \\ -0,2 \end{matrix}$	42	6	32	4,5x8,0x4,4	10.5	1.5	10
BSP	13	FN	24	36	$\begin{matrix} 0 \\ -0,2 \end{matrix}$	43	7	33	4,5x8,0x4,4	11.0	1.5	13
BSP	16	FN	31	50	$\begin{matrix} 0 \\ -0,2 \end{matrix}$	50	7	40	4,5x8,0x4,4	18.0	2.0	16
BSP	20	FN	35	63	$\begin{matrix} 0 \\ -0,2 \end{matrix}$	58	9	45	5,5x9,5x5,4	22.5	2.0	20
BSP	25	FN	42	71	$\begin{matrix} 0 \\ -0,3 \end{matrix}$	65	9	52	5,5x9,5x5,4	26.5	3.0	25
BSP	30	FN	47	80	$\begin{matrix} 0 \\ -0,3 \end{matrix}$	75	10	60	6,6x11,0x6,5	30.0	3.0	30
BSP	40	FN	64	100	$\begin{matrix} 0 \\ -0,3 \end{matrix}$	100	14	82	9,0x14,0x8,6	36.0	4.0	40
BSP	50	FN	80	125	$\begin{matrix} 0 \\ -0,3 \end{matrix}$	124	16	102	11,0x17,5x11,0	46.5	4.0	50
BSP	60	FN	90	140	$\begin{matrix} 0 \\ -0,3 \end{matrix}$	129	18	107	11,0x17,5x11,0	52.0	4.0	60



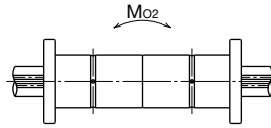
Allowable static moment
for two nuts on block

Torque moment		Load rating		Allowable static moment		Cross-sectional moment of inertia mm ⁴	Cross-sectional coefficient mm ³	Weight		Type		
kNm		kN		kNm				kg	kg			
C_T	C_{0T}	C	C_0	M_{01}	M_{02}	Mutter kg	Welle kg/m					
0.0015	0.0024	1.22	2.28	0.0051	0.0400	59.0	19.7	0.037	0.21	BSP	06	FN
0.0021	0.0037	1.45	2.87	0.0074	0.0500	190.0	47.6	0.042	0.38	BSP	08	FN
0.0044	0.0082	2.73	5.07	0.0180	0.1160	461.0	92.2	0.094	0.60	BSP	10	FN
0.0210	0.0392	2.67	4.89	0.0137	0.1090	1,38x10 ³	2,13x10 ²	0.10	1.00	BSP	13	FN
0.060	0.110	6.12	11.20	0.046	0.299	2,98x10 ³	3,73x10 ²	0.20	1.50	BSP	16	FN
0.105	0.194	8.90	16.30	0.110	0.560	7,35x10 ³	7,34x10 ²	0.33	2.40	BSP	20	FN
0.189	0.346	12.80	23.40	0.171	1.029	1,79x10 ⁴	1,43x10 ³	0.45	3.70	BSP	25	FN
0.307	0.439	18.60	23.20	0.181	1.470	3,66x10 ⁴	2,44x10 ³	0.55	5.38	BSP	30	FN
0.647	0.934	30.80	37.50	0.358	2.940	1,15x10 ⁵	5,75x10 ³	1.41	9.55	BSP	40	FN
1.291	2.955	40.30	64.90	0.690	4.084	2,83x10 ⁵	1,13x10 ⁴	3.20	15.00	BSP	50	FN
1.577	2.629	47.70	79.50	0.881	5.473	5,91x10 ⁵	1,97x10 ⁴	3.20	21.60	BSP	60	FN

Ball Splines with flange type nuts and limited stroke



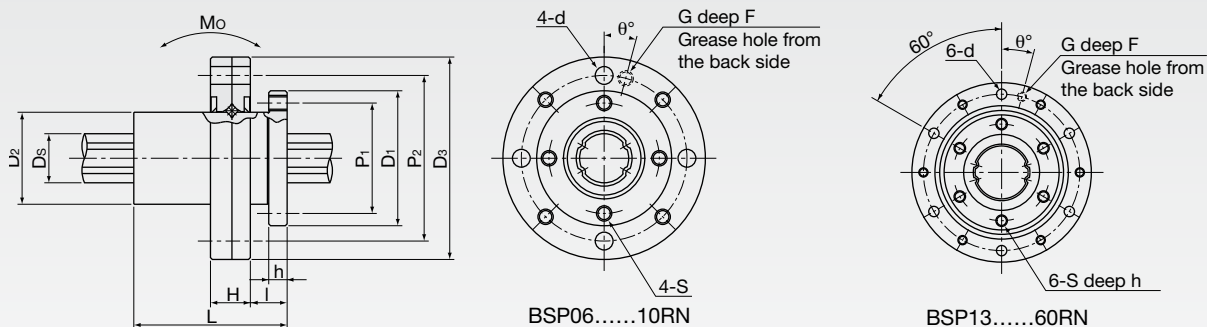
Type	Dimension																
	Hub	ϕD h6	ϕD_1	L	E	Df	H	B	P.C.D.	A	F	S	W	d	Ds h7		
BSP 06 FX	22	11	10.0	40	$\begin{matrix} 0 \\ -0,2 \end{matrix}$	3.3	23.0	4	14	17.0	--	--	3.4	12.7	1.2	6	
BSP 08 FX	20	13	12.5	40	$\begin{matrix} 0 \\ -0,2 \end{matrix}$	3.3	25.5	4	16	19.5	--	--	3.4	12.7	1.2	8	
BSP 10 FX	28	16	15.5	50	$\begin{matrix} 0 \\ -0,2 \end{matrix}$	3.3	28.5	5	20	--	18	13	3.4	16.7	1.5	10	
BSP 13 FX	24	20	19.5	50	$\begin{matrix} 0 \\ -0,2 \end{matrix}$	4.8	36.0	5	25	--	22	17	3.4	15.2	1.5	13	
BSP 16 FX	26	24	23.5	60	$\begin{matrix} 0 \\ -0,2 \end{matrix}$	4.8	40.0	7	29	--	25	19	4.5	18.2	2	16	



Allowable static moment
for two nuts on block

Torque moment		Load rating		Allowable static moment		Cross-sectional moment of inertia mm ⁴	Cross-sectional coefficient mm ³	Gewicht		Type		
kNm		kN		kNm				Nut	Shaft			
C_T	C_{0T}	C	C_0	M_{01}	M_{02}		kg	kg/m				
0.0023	0.0038	1.80	3.00	0.0112	0.0450	59.0	19.7	0.000	0.210	BSP	06	FX
0.0033	0.0055	2.02	3.37	0.0131	0.0520	190.0	47.6	0.027	0.380	BSP	08	FX
0.0065	0.0109	3.21	5.35	0.0256	0.1020	461.0	92.2	0.048	0.600	BSP	10	FX
0.0276	0.0507	4.15	7.60	0.0388	0.1550	1,38x10 ³	2,13x10 ²	0.075	1.000	BSP	13	FX
0.0628	0.1150	7.66	14.00	0.0883	0.3530	2,98x10 ³	3,73x10 ²	0.123	1.500	BSP	16	FX

Ball Splines with rotary type nuts

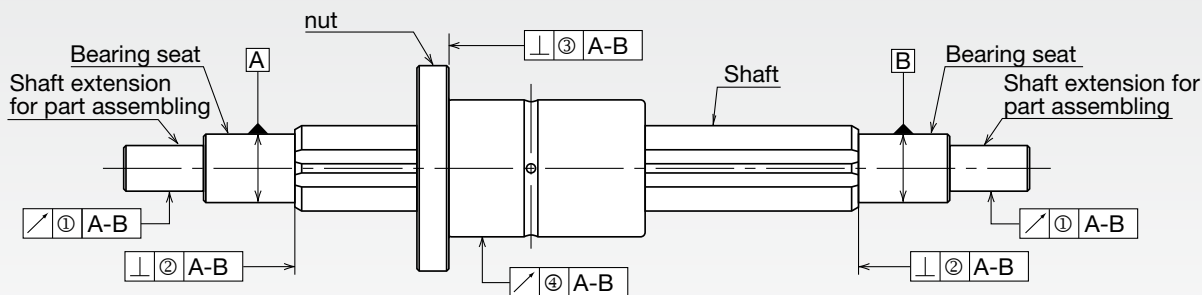


Type	Dimension																	°	
	mm																		
	ϕD_1	$h6$	ϕD_2	L	P_1	S	h	l	H	B_1	ϕD_3	$h7$	P_2	d	G	F	ϕD_s	$h7$	\ominus
BSP 06 RN	20.0	13	--	25	$\begin{matrix} 0 \\ -0,2 \end{matrix}$	16	M 2	2.5	5.0	6.5	--	30	24	2.4	M 3	2.6	6	20	
BSP 08 RN	22.0	15	--	25	$\begin{matrix} 0 \\ -0,2 \end{matrix}$	18	M 2,5	3.0	6.0	6.5	--	33	27	2.9	M 3	2.6	8	20	
BSP 10 RN	27.0	19	--	33	$\begin{matrix} 0 \\ -0,2 \end{matrix}$	22	M 3	4.0	8.0	7.0	--	40	33	3.4	M 3	2.8	10	20	
BSP 13 RN	29.0	24	--	36	$\begin{matrix} 0 \\ -0,2 \end{matrix}$	24	M 3	5.0	8.0	9.0	--	50	42	3.4	M 3	3.6	13	15	
BSP 16 RN	36.0	31	--	50	$\begin{matrix} 0 \\ -0,2 \end{matrix}$	30	M 4	6.0	10.0	11.0	--	60	50	4.5	M 3	4.4	16	15	
BSP 16 RL	39.5	52	$\begin{matrix} 0 \\ -0,007 \end{matrix}$	50	--	32	M 5	8.0	10.0	5.0	37	68	60	4.5	--	--	16	--	
BSP 20 RN	44.0	35	--	63	$\begin{matrix} 0 \\ -0,2 \end{matrix}$	38	M 4	7.0	12.0	13.0	--	72	62	4.5	M 6 x 0,75	5.2	20	15	
BSP 20 RL	43.5	56	$\begin{matrix} 0 \\ -0,007 \end{matrix}$	63	--	36	M 5	8.0	12.0	6.0	48	72	64	4.5	--	--	20	--	
BSP 25 RN	55.0	42	--	71	$\begin{matrix} 0 \\ -0,3 \end{matrix}$	47	M 5	8.0	13.0	16.0	--	82	72	4.5	M 6 x 0,75	6.4	25	15	
BSP 25 RL	53.0	62	$\begin{matrix} 0 \\ -0,007 \end{matrix}$	71	--	45	M 6	8.0	13.0	6.0	55	78	70	4.5	--	--	25	--	
BSP 30 RN	61.0	47	--	80	$\begin{matrix} 0 \\ -0,3 \end{matrix}$	52	M 6	10.0	17.0	17.0	--	100	86	6.6	M 6 x 0,75	6.8	30	15	
BSP 40 RN	76.0	64	--	100	$\begin{matrix} 0 \\ -0,3 \end{matrix}$	66	M 6	10.0	23.0	20.0	--	120	104	9.0	M 6 x 0,75	8.0	40	15	
BSP 50 RN	92.0	80	--	125	$\begin{matrix} 0 \\ -0,3 \end{matrix}$	80	M 8	13.0	24.0	22.0	--	134	118	9.0	M 6 x 0,75	8.8	50	15	
BSP 60 RN	107.0	90	--	140	$\begin{matrix} 0 \\ -0,3 \end{matrix}$	95	M 8	13.0	25.0	25.0	--	155	137	9.0	M 6 x 0,75	10.0	60	15	

Torque moment Ball Spline		Load rating Ball Spline		Load rating cross roller bearing		Allowable static moment	Cross-sectional moment of inertia	Cross-sectional coefficient	Weight		max. rpm	Type
kNm		kN		kN		kNm	mm ⁴	mm ³	kg		min ⁻¹	
C _T	C _{0T}	C	C ₀	C	C ₀	M ₀			Nut kg	Shaft kg/m		
0.0015	0.0024	1.22	2.28	0.60	0.50	0.0051	59.0	19.7	0.04	0.21	2 940	BSP 06 RN
0.0021	0.0037	1.45	2.87	1.20	1.10	0.0074	190.0	47.6	0.05	0.38	2 580	BSP 08 RN
0.0044	0.0082	2.73	5.07	2.40	2.45	0.0180	461.0	92.2	0.09	0.60	2 060	BSP 10 RN
0.0210	0.0392	2.67	4.89	2.90	3.70	0.0180	1,38x10 ³	2,13x10 ²	0.17	1.00	1 350	BSP 13 RN
0.0600	0.1100	6.12	11.20	5.60	6.70	0.0460	2,98x10 ³	3,73x10 ²	0.33	1.50	1 080	BSP 16 RN
0.0600	0.1100	6.12	11.20	13.00	12.80	0.0460	2,98x10 ³	3,73x10 ²	0.45	1.50	4 000	BSP 16 RL
0.105	0.194	8.90	16.30	6.55	8.79	0.0630	7,35x10 ³	7,34x10 ²	0.57	2.40	890	BSP 20 RN
0.1050	0.7940	8.90	16.30	17.40	17.20	0.1100	2,98x10 ³	3,73x10 ²	0.69	2.40	3 600	BSP 20 RL
0.189	0.346	12.80	23.40	9.63	12.70	0.1710	1,79x10 ⁴	1,43x10 ³	0.81	3.70	700	BSP 25 RN
0.1890	0.3460	12.80	23.40	22.10	22.50	0.1710	2,98x10 ³	3,73x10 ²	0.92	3.70	3 200	BSP 25 RL
0.307	0.439	18.60	23.20	11.80	17.10	0.1810	3,66x10 ⁴	2,44x10 ³	1.19	5.38	640	BSP 30 RN
0.674	0.934	30.80	37.50	23.00	32.30	0.3580	1,15x10 ⁵	5,75x10 ³	2.25	9.55	510	BSP 40 RN
1.291	2.955	40.30	64.90	27.80	44.00	0.6900	2,83x10 ⁵	1,13x10 ⁴	3.57	15.00	430	BSP 50 RN
1.577	2.629	47.70	79.50	29.00	48.80	0.8810	5,91x10 ⁵	1,97x10 ⁴	5.03	21.60	370	BSP 60 RN

Precision

- Ball Splines of the types BSP...CN / CL, BSP...FN and BSP...BN are available in normal precision and P - precision.
- The Ball Splines of the types BSP...RN / RL and BSP...FX are only available in normal precision.



Type	Radial run-out of the bearing seats ①		Perpendicularity of the end of the spline shaft section ②		Perpendicularity of the flange ③	
	Normal-Precision	P - Precision	Normal-Precision	P - Precision	Normal-Precision	P - Precision
BSP 04	14	8	9	6	--	--
BSP 06	14	8	9	6	11	8
BSP 08	14	8	9	6	11	8
BSP 10	17	10	9	6	13	9
BSP 13	19	12	11	8	13	9
BSP 16	19	12	11	8	13	9
BSP 20	19	12	11	8	13	9
BSP 25	22	13	13	9	16	11
BSP 30	22	13	13	9	16	11
BSP 40	25	15	16	11	19	13
BSP 50	25	15	16	11	19	13
BSP 60	29	17	19	13	22	15
BSP 80	29	17	19	13	--	--
BSP 100	34	20	22	15	--	--

Type		Radial run-out of outer surface of nut relative to shaft support area (Max.) ④ [µm]									
		Shaft length [mm]									
		up to 200	> 200 up to 315	> 315 up to 400	> 400 up to 500	> 500 up to 630	> 630 up to 800	> 800 up to 1.000	> 1.000 up to 1.250	> 1.250 up to 1.600	> 1.600 up to 2.000
BSP 04	Normal- Präzision	46	89	126	--	--	--	--	--	--	--
	P - Präzision	26	57	82	--	--	--	--	--	--	--
BSP 06	Normal- Präzision	46	89	126	--	--	--	--	--	--	--
	P - Präzision	26	57	82	--	--	--	--	--	--	--
BSP 08	Normal- Präzision	46	89	126	163	--	--	--	--	--	--
	P - Präzision	26	57	82	108	--	--	--	--	--	--
BSP 10	Normal- Präzision	36	54	68	82	102	--	--	--	--	--
	P - Präzision	20	32	41	51	65	--	--	--	--	--
BSP 13	Normal- Präzision	34	45	53	62	75	92	115	153	195	--
	P - Präzision	18	25	31	38	46	58	75	97	127	--
BSP 16	Normal- Präzision	34	45	53	62	75	92	115	153	195	--
	P - Präzision	18	25	31	38	46	58	75	97	127	--
BSP 20	Normal- Präzision	32	39	44	50	57	68	83	102	130	171
	P - Präzision	18	21	25	29	34	42	52	65	85	116
BSP 25	Normal- Präzision	32	39	44	50	57	68	83	102	130	171
	P - Präzision	18	21	25	29	34	42	52	65	85	116
BSP 30	Normal- Präzision	32	39	44	50	57	68	83	102	130	171
	P - Präzision	18	21	25	29	34	42	52	65	85	116
BSP 40	Normal- Präzision	32	36	39	43	47	54	63	76	93	118
	P - Präzision	16	19	21	24	27	32	38	47	59	77
BSP 50	Normal- Präzision	32	36	39	43	47	54	63	76	93	118
	P - Präzision	16	19	21	24	27	32	38	47	59	77
BSP 60	Normal- Präzision	30	34	36	38	41	45	51	59	70	86
	P - Präzision	16	17	19	21	23	26	30	35	43	54
BSP 80	Normal- Präzision	30	34	36	38	41	45	51	59	70	86
	P - Präzision	16	17	19	21	23	26	30	35	43	54
BSP 100	Normal- Präzision	30	32	34	35	37	40	43	48	55	65
	P - Präzision	16	17	17	19	20	22	24	28	33	40

Preload

Preload is a description of the radial clearance of Ball Splines. Applied preload eliminates the radial clearance of the Ball Splines and increases the stiffness. NTN-SNR Ball Splines are available in three preload classes.

Type	Preload / Radial clearance		
	Z0	μm Z1	Z2
BSP 04	-2...+1	-6...-2	--
BSP 06	-2...+1	-6...-2	--
BSP 08	-2...+1	-6...-2	--
BSP 10	-3...+1	-8...-3	--
BSP 13	-3...+1	-8...-3	-13...-8
BSP 16	-3...+1	-8...-3	-13...-8
BSP 20	-4...+2	-12...-4	-20...-12
BSP 25	-4...+2	-12...-4	-20...-12
BSP 30	-4...+2	-12...-4	-20...-12
BSP 40	-6...+3	-18...-6	-30...-18
BSP 50	-6...+3	-18...-6	-30...-18
BSP 60	-6...+3	-18...-6	-30...-18
BSP 80	-6...+3	-18...-6	-30...-18
BSP 100	-8...+4	-24...-8	-40...-24

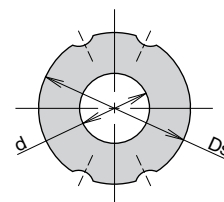
Type	Preload class	Operation conditions
Without preload	Z0	<ul style="list-style-type: none"> - low load - smooth movement - no alternating load - almost no vibrations and shocks
Low preload	Z1	<ul style="list-style-type: none"> - low torque moments - high position accuracy - alternating load - low vibrations and shocks
Medium preload	Z2	<ul style="list-style-type: none"> - torque moments - overhanging loads - strong alternating loads - vibrations and shocks

Shaft options

Hollow shaft

Ball Splines are also available in hollow shaft version.

Type	Shaft diameter	Inner diameter	cross-sectional coefficient	Cross-sectional moment of inert
	Ds mm	d mm	Z mm ³	I mm ⁴
BSP 04	4	1.5	5.7	11
BSP 06	6	2.0	19.4	58
BSP 08	8	3.0	46.5	186
BSP 10	10	4.0	89.6	448
BSP 13	13	6.0	193	1 260
BSP 16	16	8.0	348	2 780
BSP 20	20	10.0	686	6 860
BSP 25	25	15.0	1 230	15 400



Maximum length

Type	Maximum length	
	Solid shaft mm	Hollow shaft mm
BSP 04	300	300
BSP 06	400	400
BSP 08	500	500
BSP 10	630	600
BSP 13	1 500	1500
BSP 16	1 500	1500
BSP 20	2 000	2000
BSP 25	2 000	2000
BSP 30	2 000	--
BSP 40	2 000	--
BSP 50	2 000	--
BSP 60	2 000	--
BSP 80	2 000	--
BSP 100	2 000	--

Material / Coating

NTN-SNR Ball Splines are available with different coatings and partially in stainless versions.

Index in the type code	Material / Coating	Remarks
0	Standard material	
1	Stainless version	Only for BSP...CN and BSP...FN up to size 25
2	Blackchrome coating	
5	DURALLOY TDC® coating	From size 25 possible

Notes



BALL SPLINE

BSP

This document is the exclusive property of NTN-SNR ROULEMENTS. Any total or partial reproduction hereof without the prior consent of NTN-SNR ROULEMENTS is strictly prohibited. Legal action may be brought against anyone breaching the terms of this paragraph.

NTN-SNR ROULEMENTS shall not be held liable for any errors or omissions that may have crept into this document despite the care taken in drafting it. Due to our policy of continuous research and development, we reserve the right to make changes without notice to all or part of the products and specifications mentioned in this document.

© NTN-SNR ROULEMENTS, international copyright 2016.

